



## Electromechanical Door Locks

# Electromechanical Door Locks

## Nexion® Electronic Keyless Lockset

### General Information

The Nexion Electronic Keyless Lockset represents the next generation in home security. This stylish lockset combines the security of an automatic deadlatch with added safety features, plus the convenience of keyless operation using the Q-Key remote control.

The Nexion Keyless Entry Lockset is battery operated and emits an audible and visual confirmation of activation by the Q-Key remote control. The Q-Key has a range of up to three metres and uses the latest in encrypted rolling code technology for the highest security possible. Additional Q-Key remotes can easily be programmed by following a simple sequencing procedure. Should the Q-Key remote ever be misplaced, the lockset can be manually operated with a key.

### Features

- Keyless entry using Q-Key (remote control)
- Fully encrypted rolling codes
- Safety features include **SafetyRelease** to minimise the risk of being locked in and Lockout Release
- Simple programming sequence to add or disable Q-keys and has a range of up to 3 metres
- The lockset provides both audible and visual confirmation of electronic activation, the lockset mode is shown by LockAlert

### **LOCKALERT®**

The Nexion also has the unique Lockwood LockAlert status indicator that shows at a glance the lockset mode. The lockset can operate in three modes: Secure Mode, Safety Mode and Passage Mode.



Secure Mode



Safety Mode



Passage Mode

**Secure Mode (Red)** Handles securely locked from both inside and outside

**Safety Mode (Yellow)** Handles securely locked from outside and free from the inside

**Passage Mode (Green)** Handles free from both inside and outside

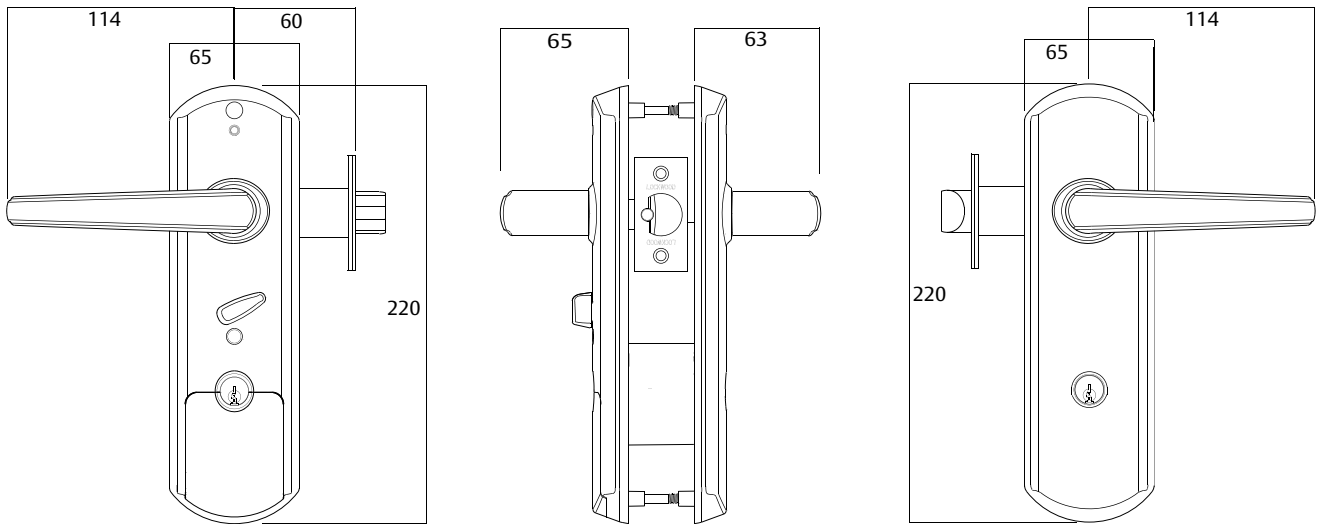


### Standards and Compliance

- S3** (Security) Australian Lock Standard (AS4145.2.1993)
- D3** (Durability) Australian Lock Standard (AS4145.2.1993)
- CE** CE Approved
- C** C-Tick Certified

# Electromechanical Door Locks

## Nexion® Electronic Keyless Lockset



### Nexion Technical Information

Case/Cover	High Purity Zinc Alloy
Backset	Standard 60mm or 70mm available on some models
Latchbolts	Stainless Steel – 15mm projection
Door Thickness	Suitable for door thickness 35 to 45mm
Cylinder	5 or 6 Pin Tumbler System
Security	S3 – High security for maximum protection (AS4145.2:1993)
Durability	D3 – High durability for maximum frequency usage
Batteries	4 AA Alkaline batteries
Standard Finishes	Gold Plated, Bright Chrome and Satin Chrome

### Accessories Ordering Information

Product Description	Part Number
Q-Key Keyless Remote – Display Pack Only	NXV8/10BLKDP
Rebate Kit – Trade Pack	NX8/20###
Rebate Kit – Display Pack	NX8/20###DP
Metal Frame Strike Kit – Trade pack Only	NX8/40###
NX8/70 Latch (70mm Backset) – Trade Pack Only	NX8/70###

**Note:** Finishes: Bright Chrome (CP), Satin Chrome (SC) and Gold Plated finishes (GLD), ### add in finish.

### Nexion Ordering Information

Series	Function	Cylinder	App. Option	Lever/ Knob	Finish	Options
NX	2	2	1	L2	CP	5KA

Series	Cylinder	Knob/Lever Style	Options
Nexion	Dummy No Cylinder	Crown	Trade Pack unless otherwise stated
Nexion Fire Rated*	Single Cylinder	Sphere	Display Packs DP
	Double Cylinder	Summit	Special Keying – Residential 5KA
		Spire	Key-Alike 5P 6KA
		Hakea	Key-Alike 6P 5PK
		Acacia	Project Keying 5P 6PK
		Saltbush	Project Keying 6P 5RP
		Mulga	
		Gidgee	

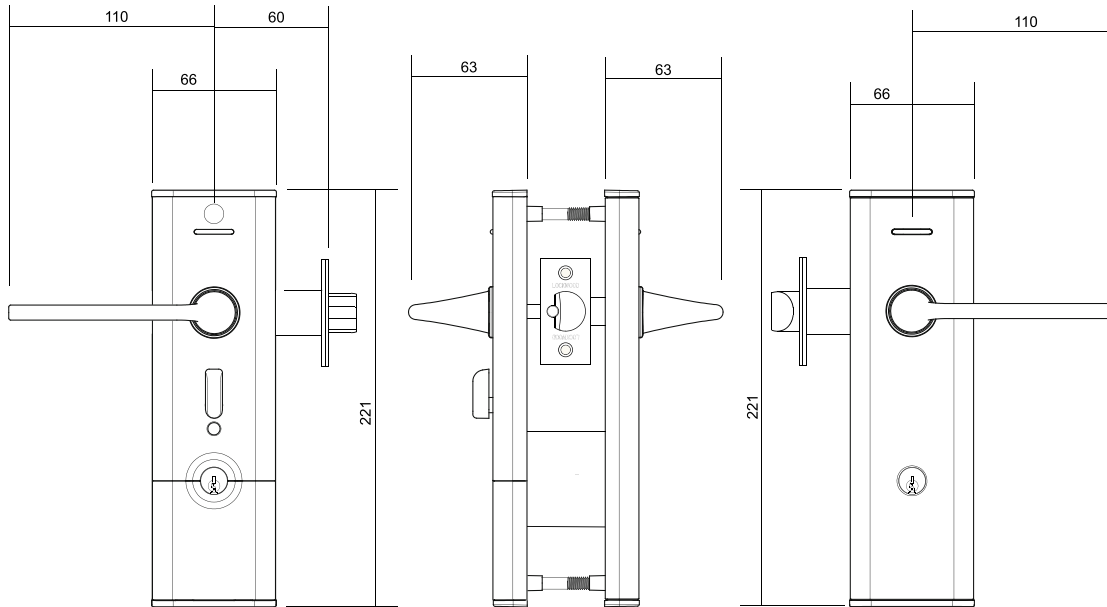
Application Options	Finish
Timber Frame Strike	Gold GLD
Metal Frame Strike	Bright Chrome CP
	Satin Chrome SC

For product availability please refer to the current price list, contact customer service or your local sales office.

Lockwood Product Catalogue  
1300 LOCK UP (1300 562 587) [lockweb.com.au](http://lockweb.com.au)

# Electromechanical Door Locks

## Nexion® Electronic Keyless Lockset



### Nexion Technical Information

<b>Case/Cover</b>	High Purity Zinc Alloy
<b>Backset</b>	Standard 60mm or 70mm available on some models
<b>Latchbolts</b>	Stainless Steel – 15mm projection
<b>Door Thickness</b>	Suitable for door thickness 35 to 45mm
<b>Cylinder</b>	5 or 6 Pin Tumbler System
<b>Security</b>	S3 – High security for maximum protection (AS4145.2:1993)
<b>Durability</b>	D3 – High durability for maximum frequency usage
<b>Batteries</b>	4 AA Alkaline batteries
<b>Standard Finishes</b>	Gold Plated, Bright Chrome and Satin Chrome

### Accessories Ordering Information

Product Description	Part Number
Q-Key Keyless Remote – Display pack Only	NXV8/10BLKDP
Rebate Kit – Trade Pack	NX8/20###
Rebate Kit – Display Pack	NX8/20###DP
Metal Frame Strike Kit – Trade pack Only	NX8/40###
NX8/70 Latch (70mm Backset) – Trade Pack Only	NX8/70###

**Note:** Finishes: Bright Chrome (CP), Satin Chrome (SC) and Gold Plated finishes (GLD). ### add in finish.

### Nexion Ordering Information

Series	Function	Cylinder	App. Option	Lever/ Knob	Finish	Options
NXV	2	2	1	L2	CP	5KA

Series	Cylinder	Knob/Lever Style	Options
Nexion	Double Cylinder 2	Summit L1 Spire L2 Element L3 Glide L4 Aria 27 Hakea 28 Acacia 29 Saltbush 34 Mulga 36 Gidgee 37	Trade Pack unless otherwise stated Display Packs DP Special Keying – Residential 5KA Key-Alike 5P 6KA Key-Alike 6P 5PK Project Keying 5P 6PK Project Keying 6P 5RP
Function	Application Options	Finish	
Combination 1	Timber Frame Strike 1	Bright Chrome CP	
Keyless Entry 2	Metal Frame Strike 3	Satin Chrome SC	
Dummy 4			
Accessories 8			

For other keying options contact Lockwood Sales Office

# Electromechanical Door Locks

## 001Touch™ Keyless Electronic Deadlatch

### General Description

For 30 years Lockwood's iconic 001 has been securing homes in Australia. The 001 as we know it today has now become digital. As with the original product, the 001Touch™ uses the 001 Deadlatch to secure the door internally however, the external cylinder has been replaced with a stylish digital touch screen keypad. The ability to use a pin code or key card offers a convenient keyless solution.

### Key Features

#### Touch screen Keypad

The touch screen keypad has no mechanical buttons which means no trace of your secret pin code.

#### 4-12 Digit pin code

Choose a pin code from 4 – 12 digits, this could be ideal for children or occupants that loose keys on a regular basis.

#### Key Cards

Program up to 20 Key cards into your lock and have the ability to remove them individually.

#### Tested in accordance with AS4145.2-2008

The 001Touch has been tested in accordance with the Australian lock standard. Please refer to website for more information.

#### Secure Mode

You have the option to lock the 001Touch with the internal key, the key card and pin number automatically unlocks upon entry. This safetyRelease function minimise the chance being locked inside your house.

#### Low power consumption

Unlock your door up to 10,000 times with one set of 4 x AA batteries. We recommend the batteries are changed every 12 months regardless.

#### Outdoor weather resistant keypad

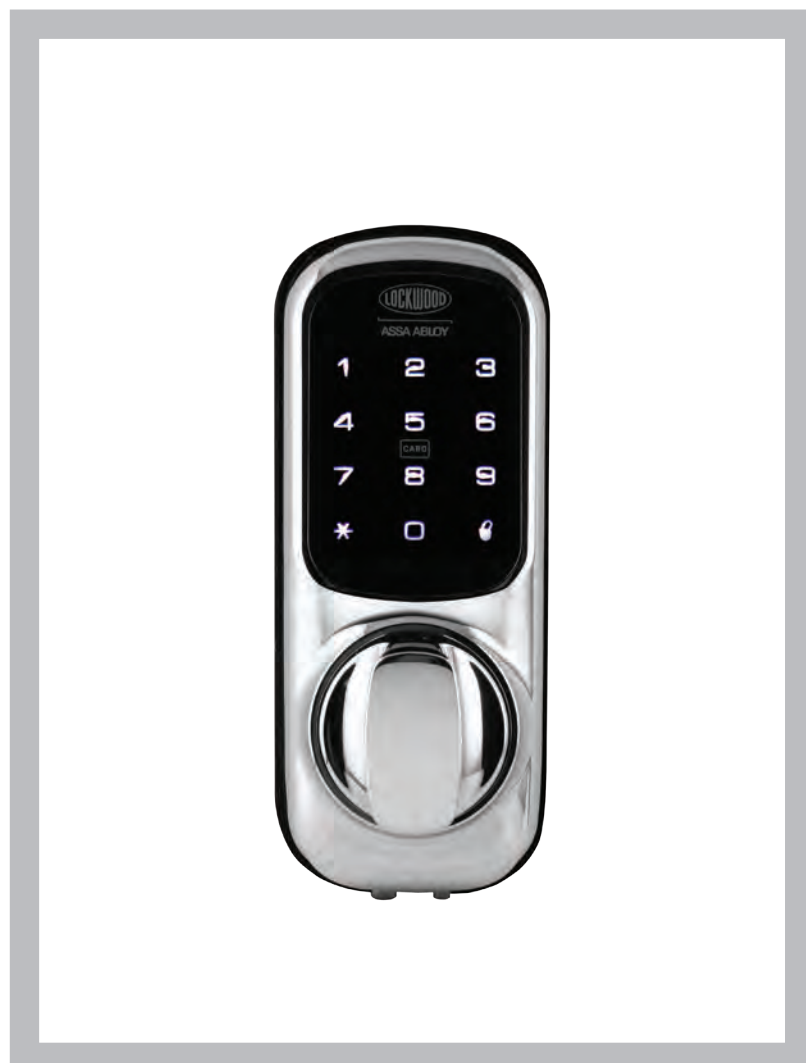
The Keypad is designed to withstand most weather conditions.

#### Master code

You will have the ability as a Master to add and delete users.

#### User code that expires

You have the ability to program a code that may last from 3 – 336 hours. This is ideal when a tradesman requires access to your house for a few hours or when your neighbour is looking after your home for up to 2 weeks and the duration you would like it to last.



#### Cryptic code function

Prevent others from identifying your pin code during access, the cryptic code function confuses the onlooker but at the same time allows you to still gain entry.

#### User codes and setting remain if batteries are removed

The settings, codes and key cards will remain programmed in the lock in the event the batteries are depleted.

#### Automatic Locking

Once the correct code or key card is presented, the lock will remain unlocked for 5 seconds and will lock automatically when the 5 seconds expire.

#### Visual guide for programming

For added convenience, a light guide will assist in the programming of some key features. (Refer installation guide)

# Electromechanical Door Locks

## 001Touch™ Keyless Electronic Deadlatch

### Low battery

When your battery reaches critical level (30%) a warning light will come on reminding you to change the battery.

### Battery check function

The battery level can be checked without removing the batteries. With a simple sequence of buttons you can tell if your battery level is between 100% - 30%.

### Emergency battery connection

In the event your battery goes flat you have two battery contact points that fit a standard 9V battery, you can place the battery here and power the lock temporarily to enter your pin or key card.

### Keypad Case

High purity zinc alloy

### Battery cover

High Quality ABS plastic

### Backset

60mm

### Latch

Stainless steel 18mm projection

### Door thickness

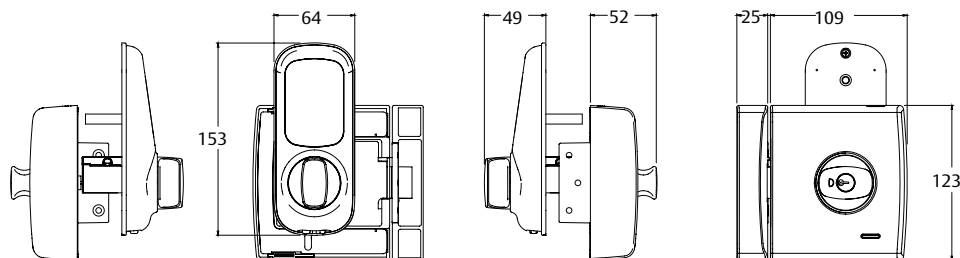
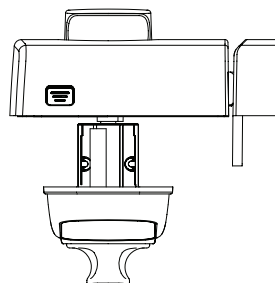
32 – 50mm

### Cylinder

Only internal cylinder is present. External cylinder is replaced with a keypad and there is no key override

### Finishes

Chrome plate CP



Description	Part Number
001Touch Chrome	001T-1K1CPDP
Keycard	RFKC10
Keyfob	RFKF10

ASSA ABLOY is the global leader in door opening solutions, dedicated to satisfying end-user needs for security, safety and convenience



Lockwood is the leading brand in the Australian locking industry. With an established reputation for high quality products, this iconic brand provides a wide range of locking solutions to residential housing, commercial building and industrial application markets. Lockwood is supported by an extensive distribution and after-sales support network. Our customers include retailers, architects, trade and industrial personnel, locksmiths and security dealers.

## ASSA ABLOY

ASSA ABLOY is the global leader in door opening solutions, dedicated to satisfying end-user needs for security, safety and convenience.

ASSA ABLOY is represented in all major regions, in both mature and emerging markets, with leading positions in Australia, Europe and North America.

As the world's leading lock group, ASSA ABLOY offers a more complete product range of door opening solutions than any other company in the market.

**Australia**  
**1300 LOCK UP (1300 562 587)**  
**lockweb.com.au**

**New Zealand**  
**+64 9415 7111**  
**assaabloy.co.nz**

ASSA ABLOY Australia Pty Ltd  
235 Huntingdale Road  
Oakleigh, Victoria, 3166  
Australia

info.au@assaabloy.com  
assaabloy.com.au

ASSA ABLOY New Zealand Ltd  
6 Armstrong Road  
Albany, North Shore City, 0632  
New Zealand

info.nz@assaabloy.com  
assaabloy.co.nz

